

PNGTECHNOLOGIES

PARTS LIST FOR THE HONDA GX SERIES TOP MOUNT AIR CLEANER
PROPANE / NATURAL GAS KITS

PROPANE KIT PART # G-SE-HONDA-GX390-P

NATURAL GAS PART # G-SE-HONDA-GX390-N

MAKE: HONDA GX240,GX340,GX360.GX390 TOP MOUNT AIR CLEANER

RUNNING WATTS: _____

STARTING WATTS: _____

ENGINE MODEL # _____

ENGINE CC'S _____

CARBURETOR ADAPTER SPEC'S

2

G-SE-204-44-67



36" 1/2" I.D. BLUE



KN-2 PROPANE REGULATOR COMPONENTS ONLY

3

(1) G-SE-KN-2 / 6OZ



(1) G-SE-1/2-PE

MEASUREMENT

14 MM



(1) FITT-3/4-ELBOW



(1) FITT-3/4-NIPPLE



(1) FITT-3/4-BALL VALVE



(1) FITT-3/4-BUSHING



(1) FITT-1/4-1107



KN-2 NATURAL GAS REGULATOR COMPONENTS ONLY

4

(1) G-SE-KN-2 / 6OZ / 4OZ



(1) G-SE-1/2-PE

MEASUREMENT

14 MM



(1) FITT-3/4-ELBOW



(1) FITT-3/4-NIPPLE



(1) FITT-3/4-BALL VALVE OPEN FLOW FOR NATURAL GAS



LP HOSE PROPANE KIT ONLY

5

PART# (1) G - SE - 3001 - N

(1) FITT - 3/8" - 0006
SWIVEL FITTING

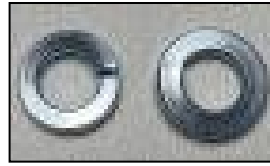
(1): 6 FT HOSE WITH HIGH
PRESSURE REGULATOR
AND POL VALVE



MISC BAG COMPONENTS

6

(2) 1/4 - LOCK WASHERS



(4) 1/4 - FLAT WASHERS



(2) 1/4 - NUTS



(2) 1/4 - 20 X 2-1/2" BOLTS



(1) ZIP TIE



(2) CLAMP-0007



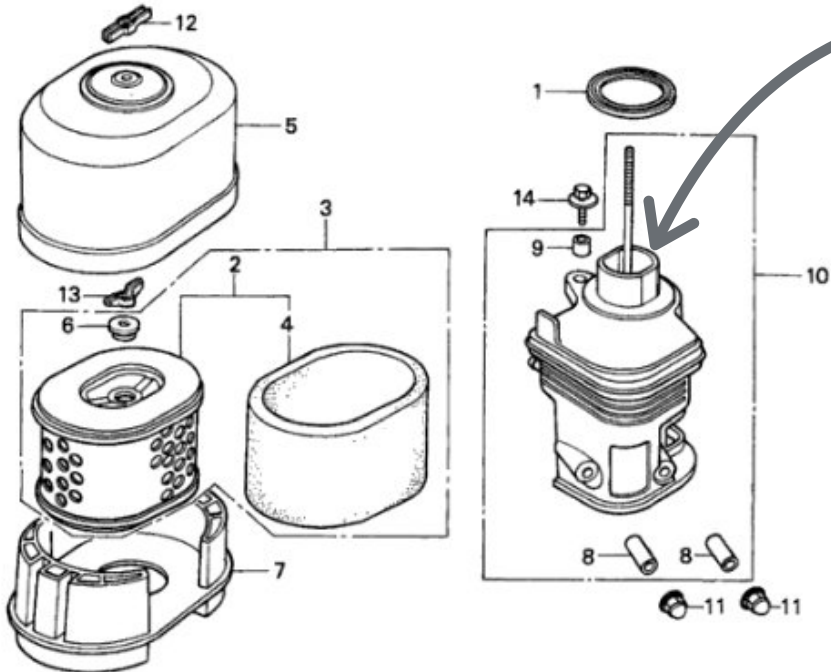
(1) PIPE COMPOUND



REMOVER AIR CLEANER ASSEMBLY



INSTALL THE ADAPTER BETWEEN THE AIR CLEANER AND GASOLINE CARBURETOR



EXAMPLE PICTURES OF REGULATOR INSTALLATION'S WHETHER IT'S PROPANE OR NATURAL GAS

8

